



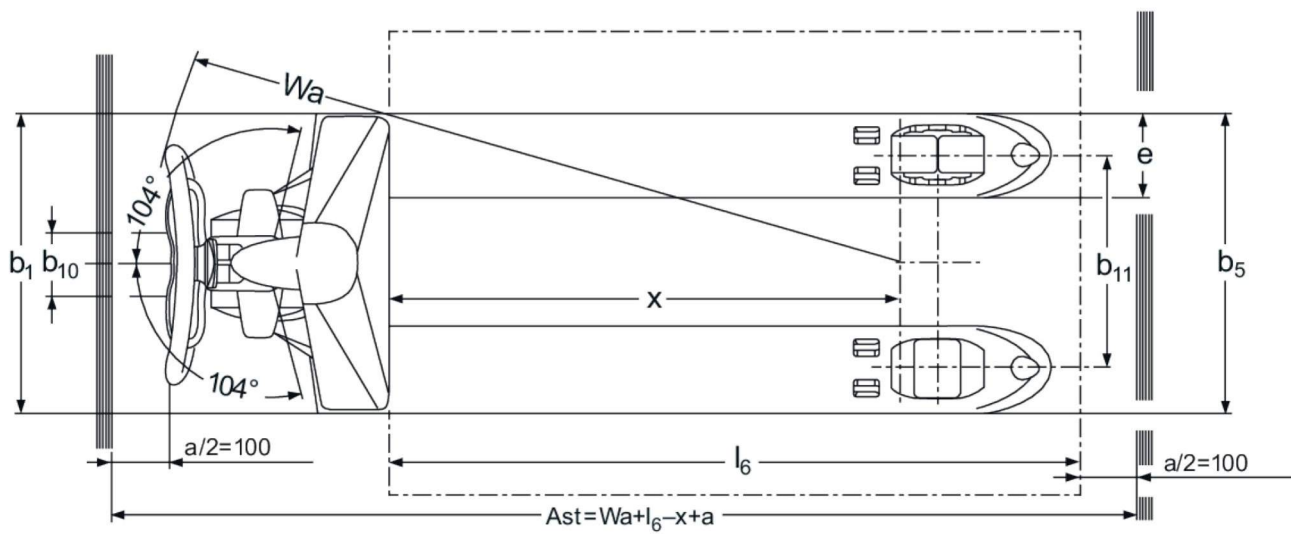
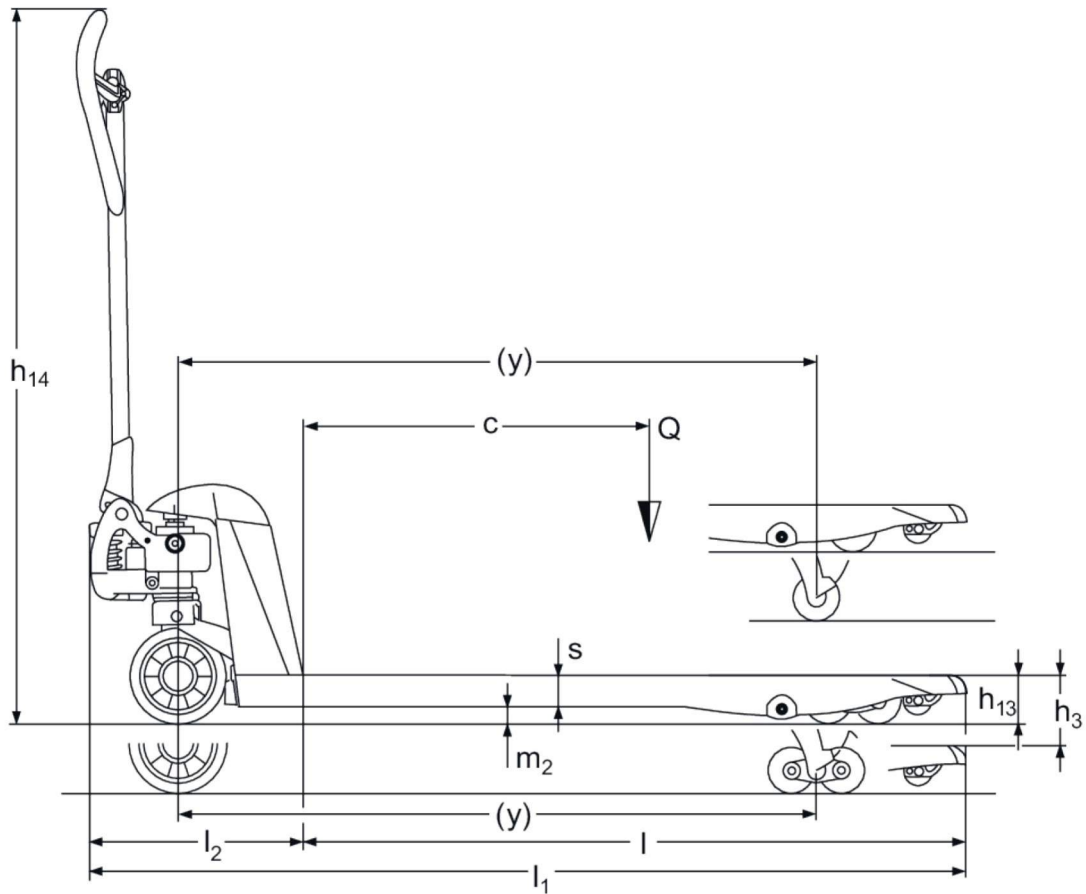
Гидравлическая тележка Jungheinrich AM 22 NH

2.2 т, 115x52 см

Цена 39 900 руб.

с НДС

AM 22 SH / 22 NH



- This data sheet according to VDI guideline 2198 only states the technical values of the standard truck. Different tyres, other masts, additional equipment etc. may result in different values.

Characteristic	1.1	Manufacturer (abbreviated description)		Jungheinrich	
	1.2	Manufacturer's type designation		AM 22 NH	
	1.3	Drive		Manual	
	1.4	Operation		Manual	
	1.5	Грузоподъемность	Q	kg	2200
	1.6	Load centre distance	c	mm	600
	1.9	Wheelbase	y	mm	1110
Weights	2.1	Service weight		kg	60
Wheels/suspension system	3.1	Колеса			C-BV
	3.2	Переднее рулевое колесо		Резиновое	∅ 170x50
	3.3	Грузовые ролики тандем		Полиуретан	∅ 82x96
	3.5	Wheels, number front/back (x=driven)			2/4
	3.6	Tread width, front	b ₁₀	mm	109
	3.7	Tread width, rear	b ₁₁	mm	370
	Basic dimensions	4.4	Lift (h ₃)	h ₃	mm
4.14		Stand height, elevated	h ₁₂	mm	205
4.15		Height, lowered	h ₁₃	mm	83
4.19		Overall length	l ₁	mm	1523
4.20		Length including fork shank	l ₂	mm	373
4.21.1		Overall width	b ₁	mm	520
4.22		Fork dimensions	s/e/l	mm	53 x 150 x 1150
4.25		Width across forks	b ₅	mm	520
4.32		Ground clearance centre of wheelbase	m ₂	mm	30
4.34.1		Aisle width (pallet 1000x1200 sideways)	Ast	mm	1734
4.34.2		Aisle width (pallet 800x1200 length)	Ast	mm	1784
4.35		Turning radius	W _a	mm	1274
Performance data	5.3	Lowering speed laden/unladen		m/s	0.09 / 0.02

- This data sheet according to VDI guideline 2198 only states the technical values of the standard truck. Different tyres, other masts, additional equipment etc. may result in different values.

Note. The tables do not represent all tyre variants. Not all tyre variants are available for all fork lengths. Available tyres:
Steering wheels: N = nylon, C = rubber, V = polyurethane.
Load rollers: GN = single nylon, GV = single polyurethane, BN = tandem nylon, BV = tandem polyurethane.